

Les industries  
**Jessar**  
industries inc.

CATALOGUE LUMINAIRE  
LIGHTING CATALOG

2024





**TABLE DES MATIÈRES / TABLE OF CONTENTS**



**SPUTNIK**  
Page 4 - 5



**LUMINAIRES SUSPENDUS  
PENDANT LIGHTS**  
Page 6 - 13



**PENDANT LINÉAIRE  
KITCHEN ISLAND**  
Page 14 - 17



**LANTERN GÉOMÉTRIQUE  
GEOMETRIC**  
Page 18 - 19



**DOME**  
Page 20 - 27



**CAGE**  
Page 28 - 31



**RAIL D'ÉCLAIRAGE  
TRACK LIGHTS**  
Page 32 - 41



**PLAFONNIER  
CEILING LIGHTS**  
Page 42 - 45



**LUMIÈRES DE VANITÉ  
VANITY LIGHTS**  
Page 46 - 49



**LAMPE DE TABLE ET PIEDS  
DESK & FLOOR LAMPS**  
Page 50 - 53

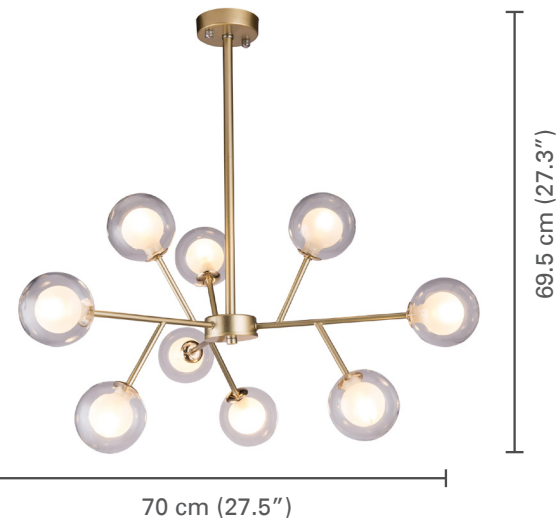


**LUMINAIRE EXTÉRIEUR  
OUTDOOR LIGHTS**  
Page 54 - 63



Sputnik

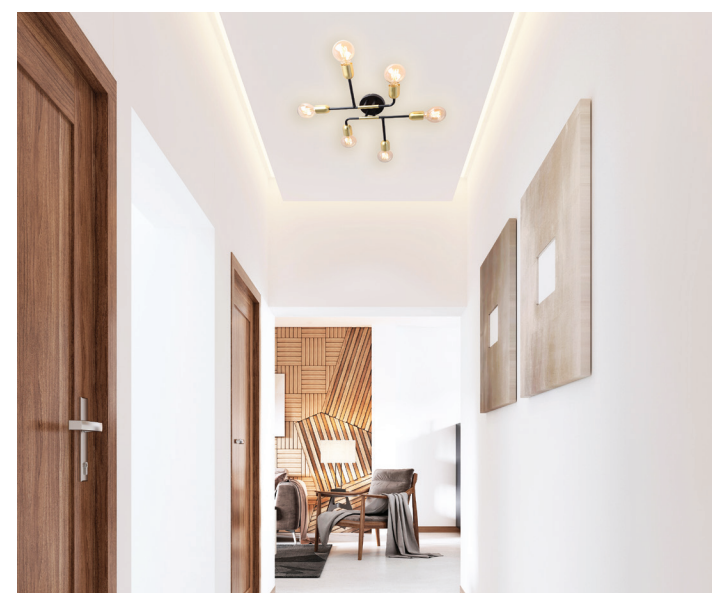
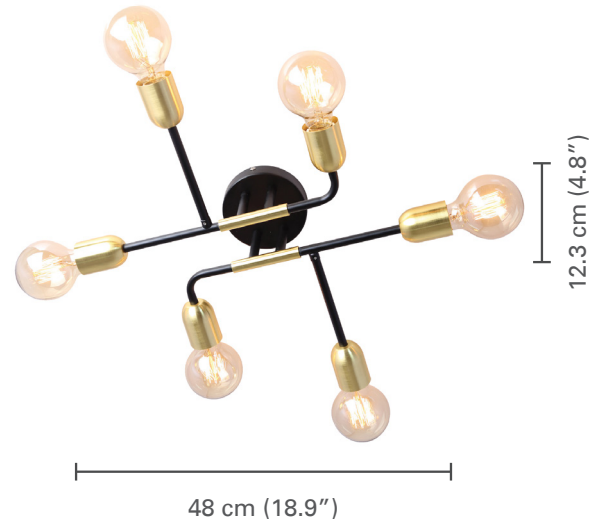
5-90127 GOLDWIN



5-90128 JENSEN



5-90212 ROCKLAND



SPUTNIK

5-90114 FREEDOM

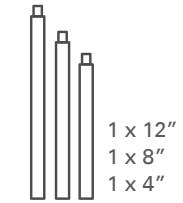


5-90234 ELIXIR



5-90211 SKYLIGHT

Hauteur ajustable - comprend 3 tiges  
Adjustable height - includes 3 stems



5-90235 ELIXIR





# Luminaires Suspendus Pendant Lights

5-90180 BROADWAY

5-90130 MABEL



5-90182 FLORENCE



## LUMINAIRES SUSPENDUS / PENDANT LIGHTS

5-90136 VIRGINIA

5-90113 GRIMALDI

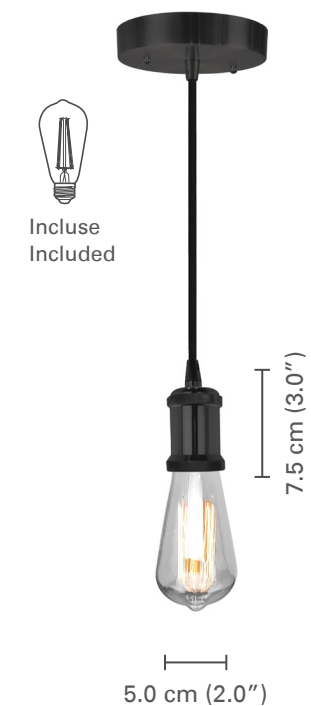
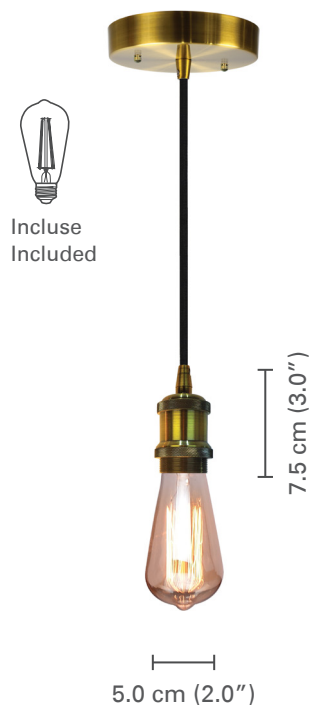
5-90131 ELLINGSON



5-90115 GIULIO

5-90116 GIULIA

5-90117 HENRY



LUMINAIRES SUSPENDUS / PENDANT LIGHTS

5-90255 REPLY



5-90256 REPLY



5-90257 REPLY

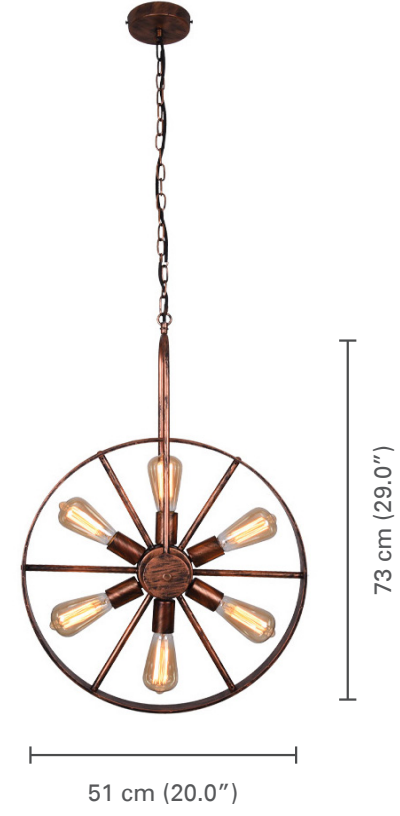


5-90258 REPLY



LUMINAIRES SUSPENDUS / PENDANT LIGHTS

5-90196 BOLIVIA

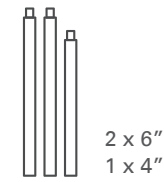


5-90144 CONNEXION



5-90313 KATHARINA (DEL / LED)

Hauteur ajustable - comprend 5 tiges  
Adjustable height - includes 5 stems



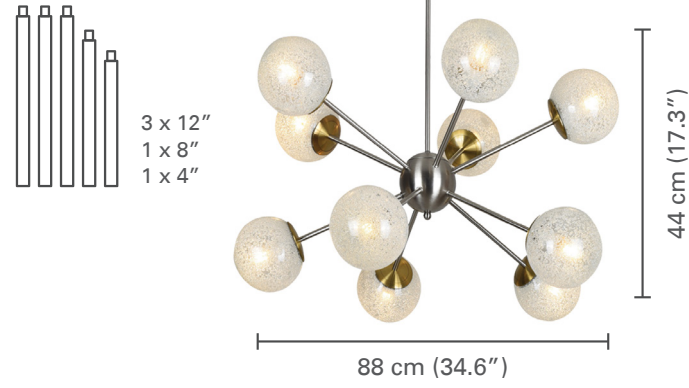
5-90094 WEBBER



LUMINAIRES SUSPENDUS / PENDANT LIGHTS

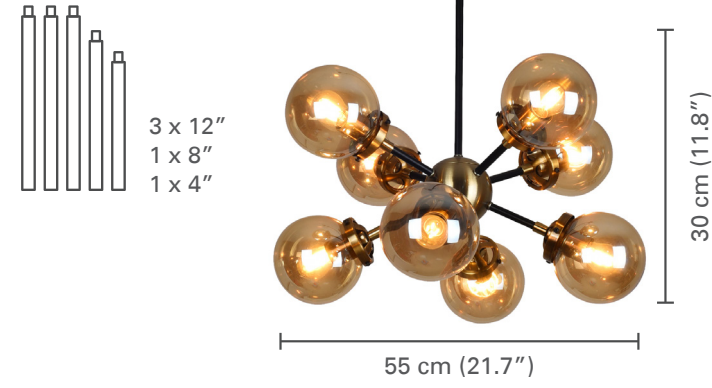
5-90194 BOHANNON

Hauteur ajustable - comprend 5 tiges  
Adjustable height - includes 5 stems



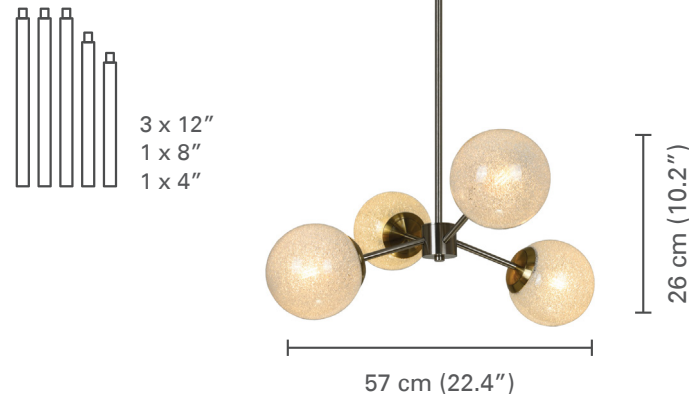
5-90198 HENDERSON

Hauteur ajustable - comprend 5 tiges  
Adjustable height - includes 5 stems



5-90207 BOHANNON

Hauteur ajustable - comprend 5 tiges  
Adjustable height - includes 5 stems



5-90208 HENDERSON

Hauteur ajustable - comprend 5 tiges  
Adjustable height - includes 5 stems



5-90209 BOHANNON

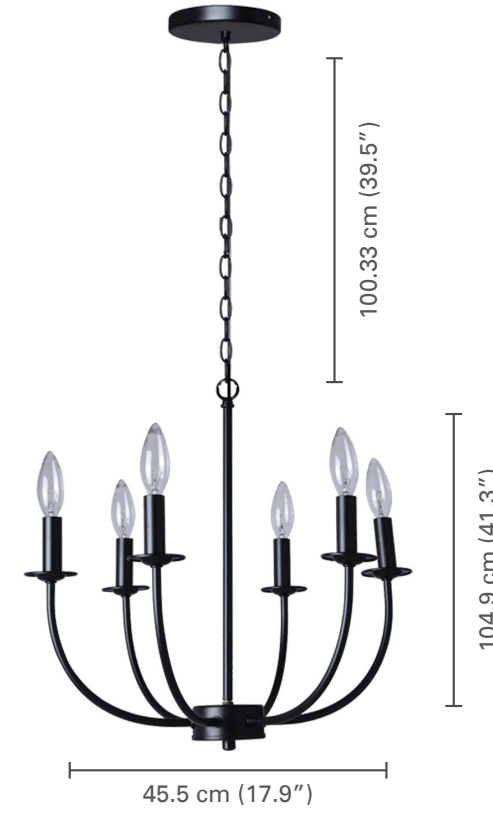


5-90210 HENDERSON

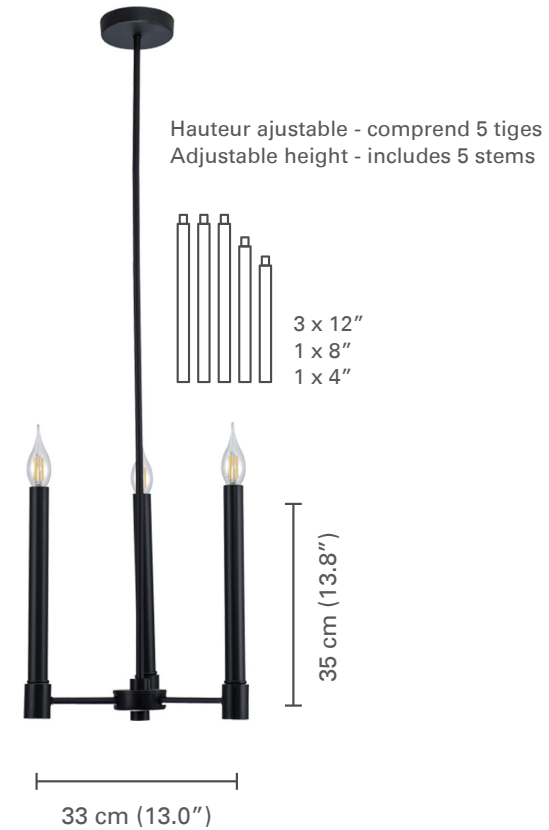


LUMINAIRES SUSPENDUS / PENDANT LIGHTS

5-90233 ANDALUSIAN



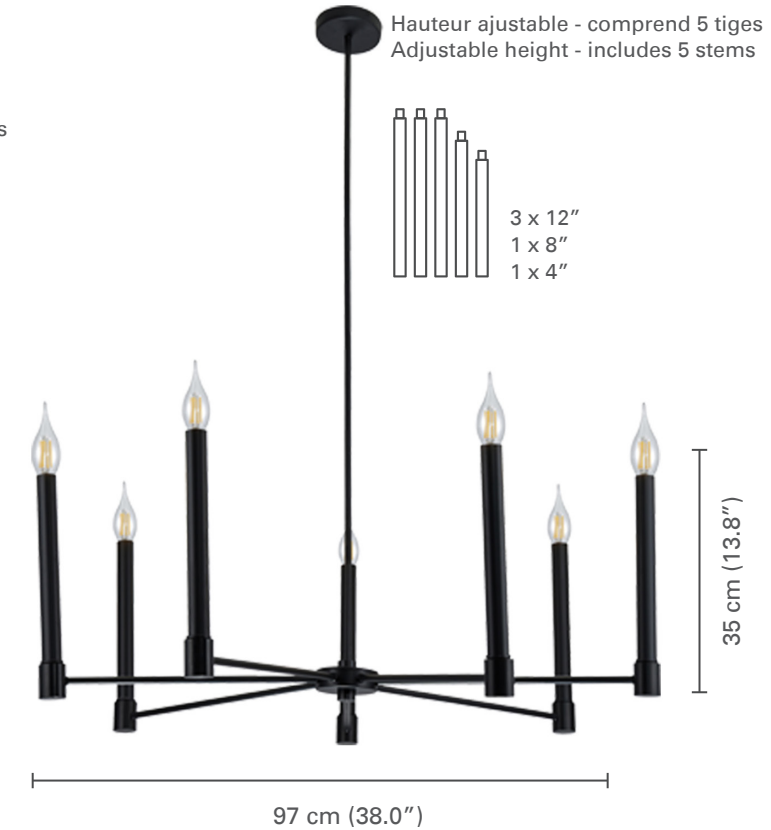
5-90248 TOSCANA



5-90251 WESTGATE



5-90249 TOSCANA



LUMINAIRES SUSPENDUS / PENDANT LIGHTS

5-90284 STEINWAY



5-90285 STEINWAY



LUMINAIRES SUSPENDUS / PENDANT LIGHTS

5-90122 STANFORD



5-90187 OPERA



5-90344 FIFTH AVENUE



5-90343 FIFTH AVENUE

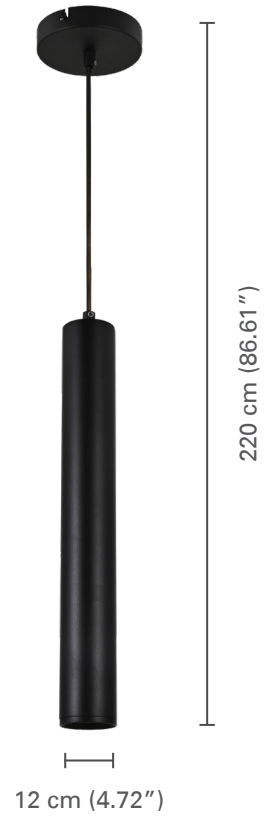


5-90197 GUSTAVO



LUMINAIRES SUSPENDUS / PENDANT LIGHTS

5-90286 GENESIS



5-90287 GENESIS

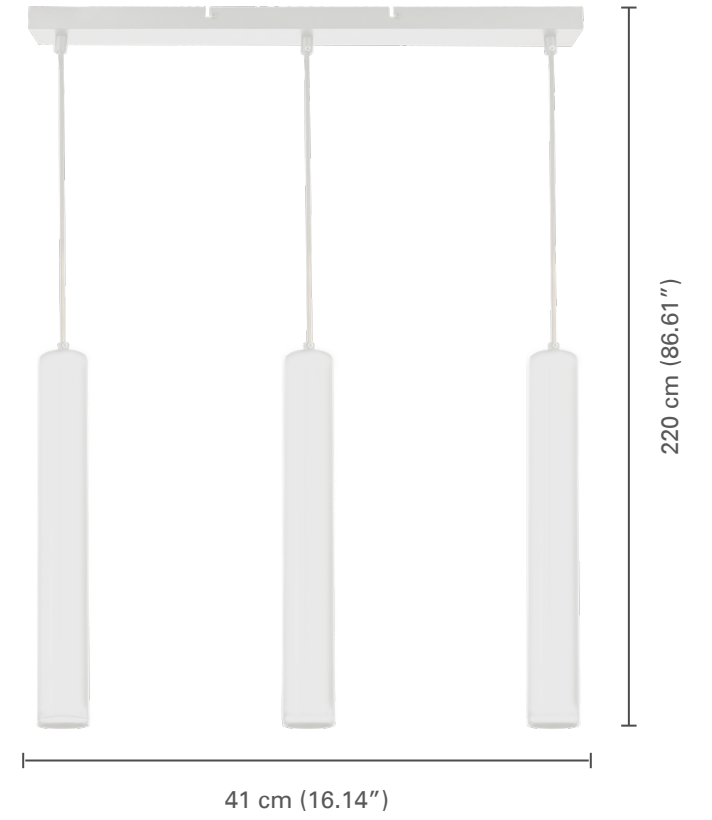


LUMINAIRES SUSPENDUS / PENDANT LIGHTS

5-90355 GENESIS



5-90356 GENESIS

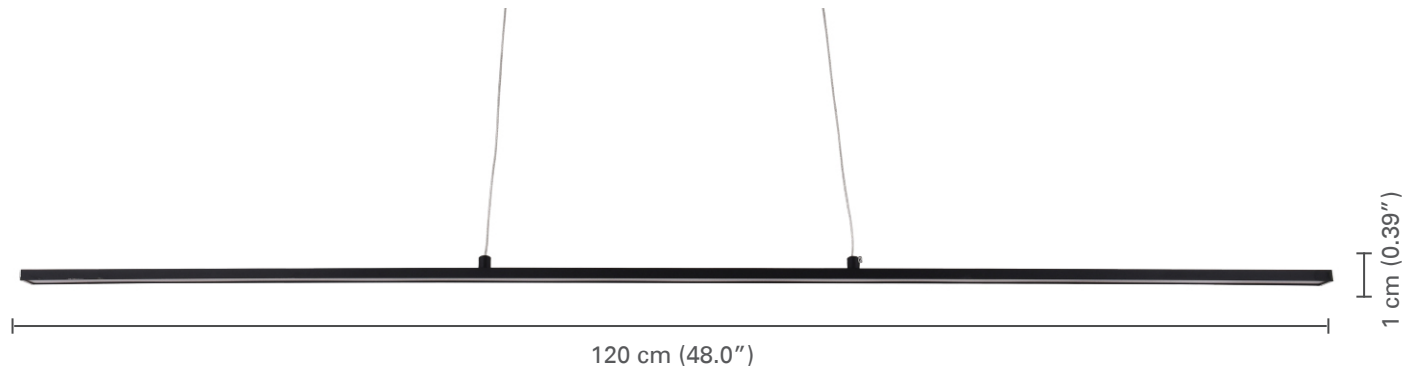






# Pendant Linéaire Kitchen Island

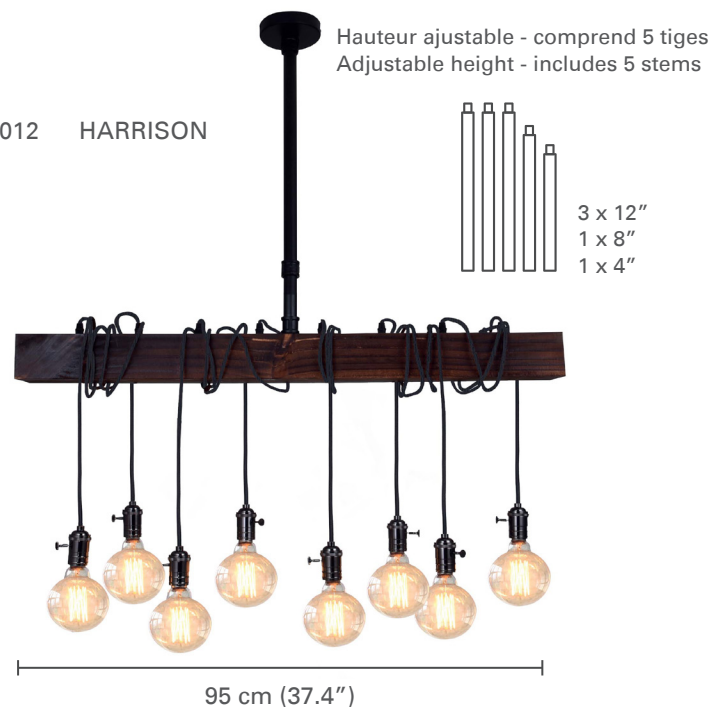
5-90311 MORRISON (DEL / LED)



5-90129 GLORIA



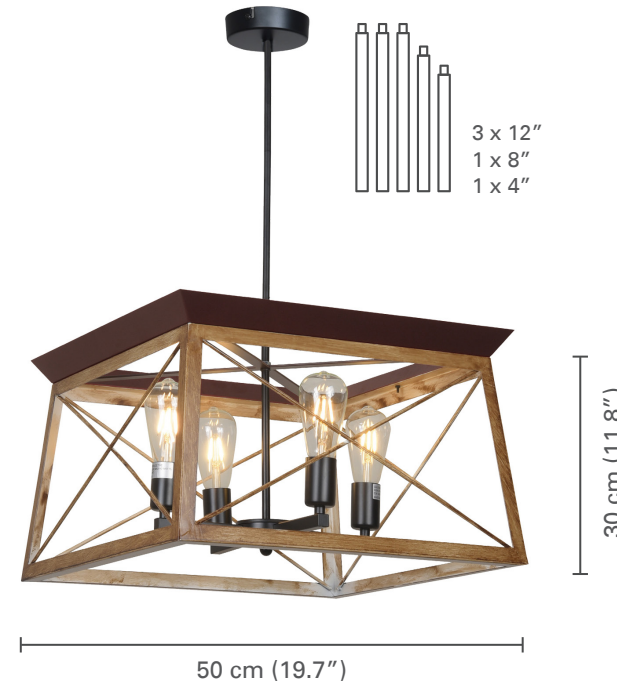
5-90012 HARRISON



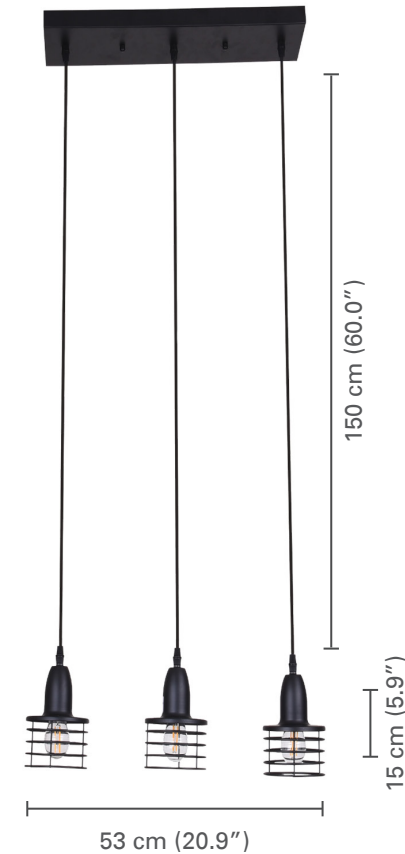
## PENDANT LINÉAIRE / KITCHEN ISLAND

5-90195 ARISTOCRAT

Hauteur ajustable - comprend 5 tiges  
Adjustable height - includes 5 stems



5-90006 NORWAY



5-90126 DAKOTA



5-90011 FRANKLIN



5-90134 PALMER

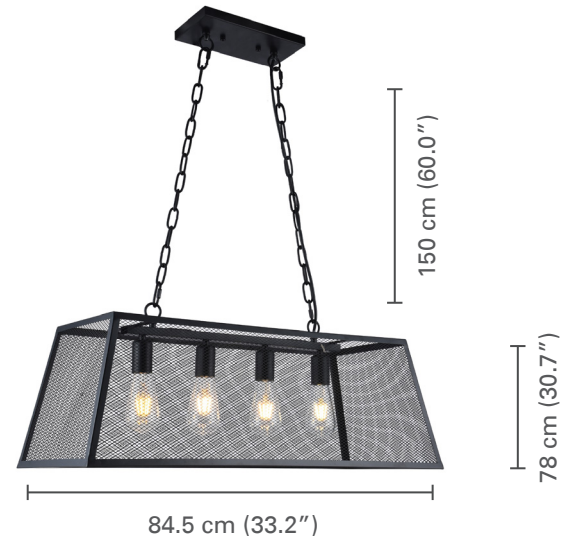


PENDANT LINÉAIRE / KITCHEN ISLAND

5-90151 LOUVRE



5-90158 NELSON



PENDANT LINÉAIRE / KITCHEN ISLAND

5-90179 CASINO



5-90183 KIMBERLY



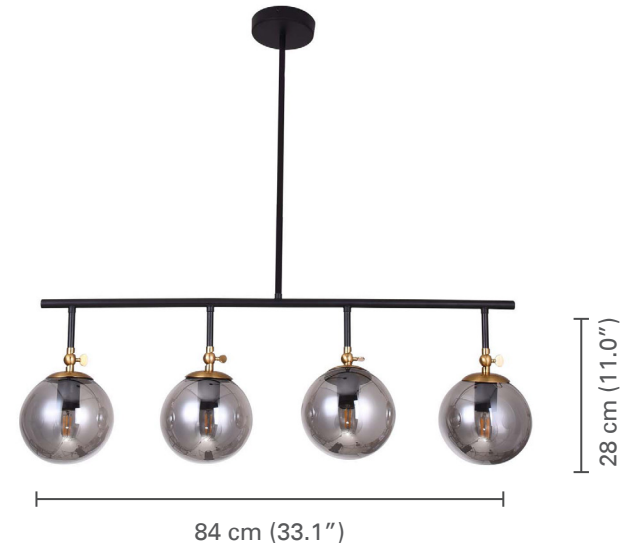
5-90164 NOBLE



5-90165 OXFORD



5-90003 BOLTON



5-90013 NEW YORK



5-90123 CHARLES



4-80403 MAJESTIC





# Lantern Géométrique / Geometric

5-90132 FOX

5-90133 FOX



4-80404 WESTWOOD



Include  
Included

## LANTERN GÉOMÉTRIQUE / GEOMETRIC

5-90172 SAPHIRA

5-90157 MYNX



5-90173 STERLING



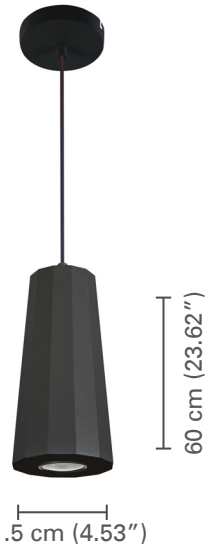
5-90174 STERLING



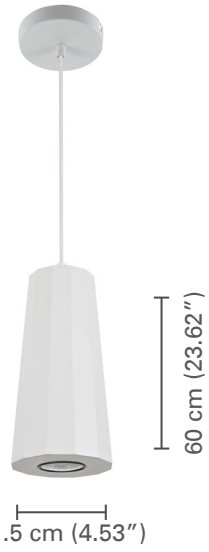


**Dome**

5-90304 BEVERLY



5-90306 BEVERLY



5-90305 BEVERLY



5-90307 BEVERLY



**DOME**

5-90226 ELVA



5-90227 ELVA



5-90275 TREBECCA



5-90276 TREBECCA



5-90277 TREBECCA



5-90278 TREBECCA



DOME

5-90100 CHRISTY



5-90101 CHRISTY



5-90099 BOLERO



5-90271 BOLERO



5-90153 BLACK MOON



4-80405 RETRO



DOME

5-90175 ALPHA



5-90152 FOSTER



5-90124 GORDON



5-90156 MOLLY



5-90176 CAVALIOFF



5-90004 BIXHAM



5-90005 CLIFTON



5-90001 BELMONT



5-90000 BELMONT



DOME

5-90168 PORTLAND



5-90169 PORTLAND



5-90170 PORTLAND



5-90097 BEVERLY



5-90118 JAZZI



5-90008 KOKKINO



5-90186 MERIDIAN



5-90150 COPENHAGEN



5-90149 BROOKLYN



DOME

5-90102 CENTRAL STATION



5-90105 DECLAN



5-90106 DECLAN



5-90159 MILA



4-80401 AMBER GLASS



5-90160 MELROSE



5-90002 CELESTE



5-90098 ASHFORD



5-90148 BRENTFORD



DOME

5-90282 HOME TOWN



5-90283 WATERLOO



5-90280 KAMPALA



5-90281 WELLINGTON



DOME

5-90171 NORWOOD



5-90146 GRANT



5-90161 ODESSA



5-90147 GRANT





Cage

5-90162 MONACO



5-90104 EDEN



5-90107 EUGENE



CAGE

5-90135 VOLCANO



5-90112 HOUSTON



5-90108 DUTCH



5-90137 VIRGINIA



5-90110 ELTON



5-90314 RIO





CAGE

5-90163 MONTE CARLO



5-90145 FLOYD



5-90143 CARLTON



5-90142 CARLTON



5-90178 DEVON



CAGE

5-90269 BALDWIN



5-90254 SHADOW

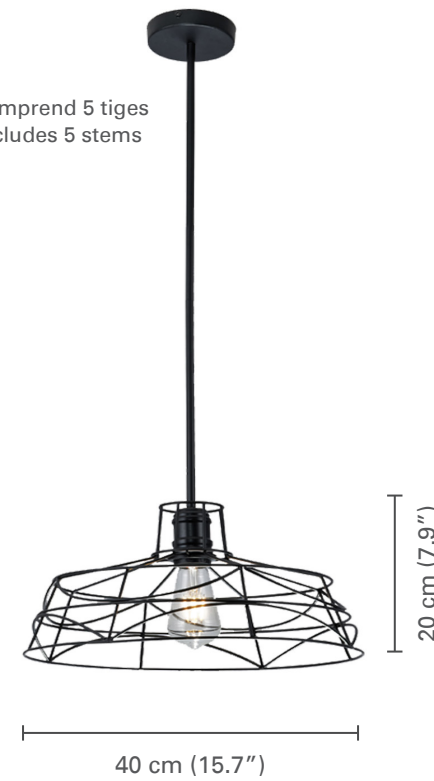
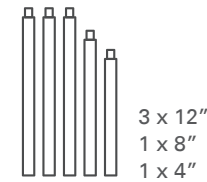


5-90252 QUEENSDOWN



5-90250 VERONICA

Hauteur ajustable - comprend 5 tiges  
Adjustable height - includes 5 stems



5-90253 QUEENSDOWN

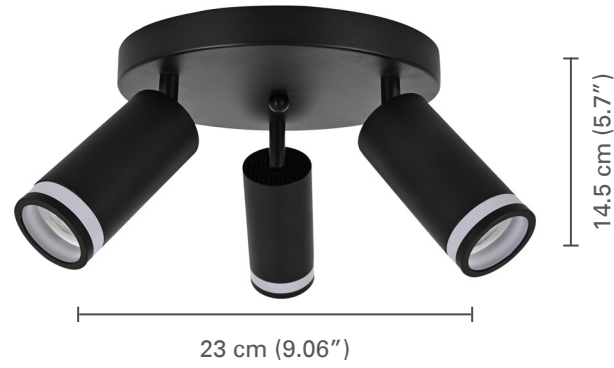




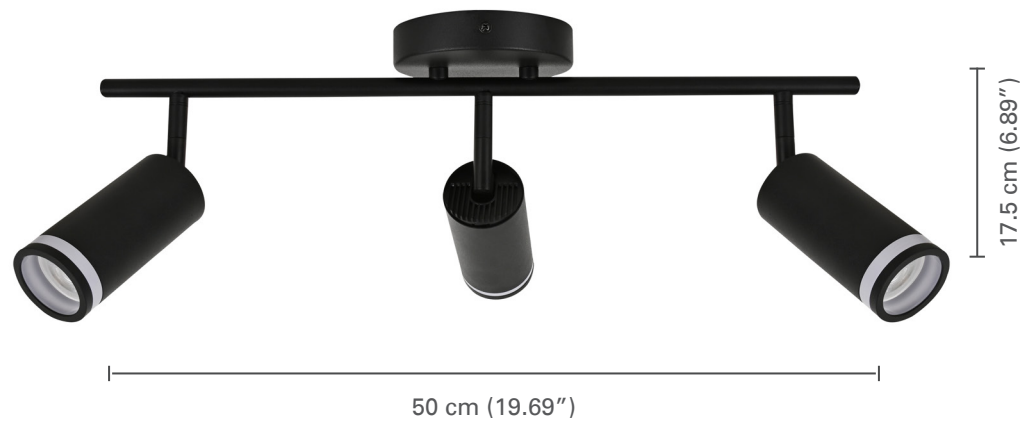
**Rail d'éclairage  
Track Lights**

5-90347 VALEGRO

5-90348 VALEGRO



5-90349 VALEGRO



RAIL D'ÉCLAIRAGE / TRACK LIGHTS

5-90298 FLEMINGS



12.5 cm (4.92")

12 cm (4.72")

5-90299 FLEMINGS



12.5 cm (4.92")

23 cm (9.06")

5-90300 FLEMINGS



12.5 cm (4.92")

18 cm (7.09")

5-90301 FLEMINGS



15 cm (5.91")

30 cm (11.81")

5-90302 FLEMINGS



15 cm (5.91")

50 cm (19.69")

5-90303 FLEMINGS



15 cm (5.91")

64.2 cm (25.2")

RAIL D'ÉCLAIRAGE / TRACK LIGHTS

5-90357 FLEMINGS



12.5 cm (4.92")

12 cm (4.72")

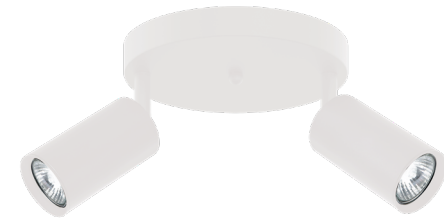
5-90358 FLEMINGS



12.5 cm (4.92")

23 cm (9.06")

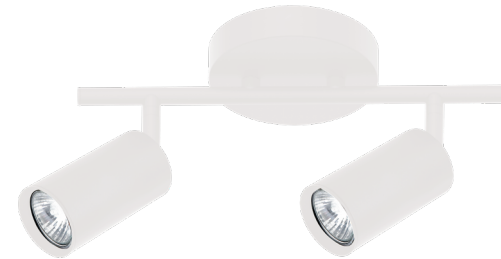
5-90359 FLEMINGS



12.5 cm (4.92")

18 cm (7.09")

5-90360 FLEMINGS



15 cm (5.91")

30 cm (11.81")

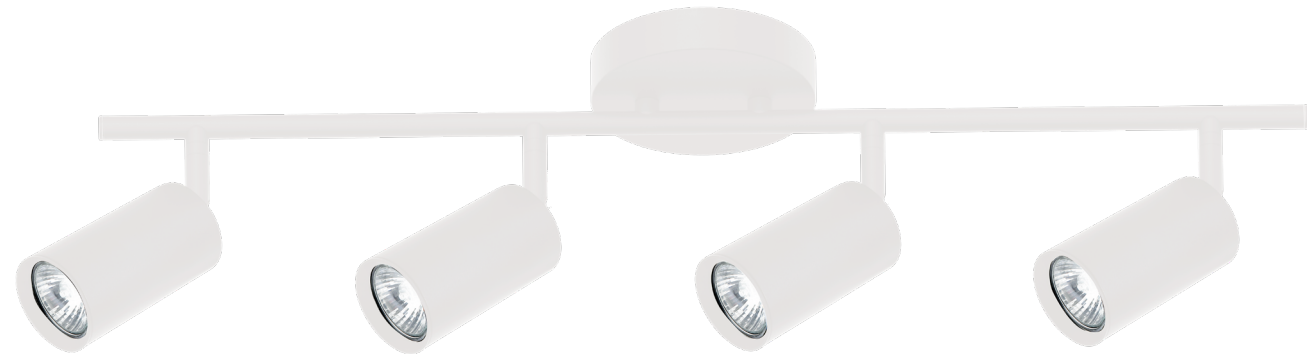
5-90361 FLEMINGS



15 cm (5.91")

50 cm (19.69")

5-90362 FLEMINGS



15 cm (5.91")

64.2 cm (25.2")

RAIL D'ÉCLAIRAGE / TRACK LIGHTS

5-90073 RIVIERA



5-90074 RIVIERA



5-90075 RIVIERA



5-90072 WALTER



5-90071 WALTER

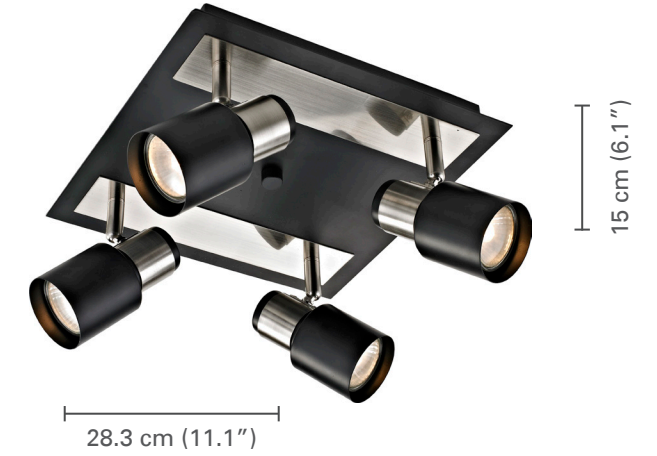


RAIL D'ÉCLAIRAGE / TRACK LIGHTS

5-90223 JACKSON



5-90225 JACKSON



5-90224 JACKSON

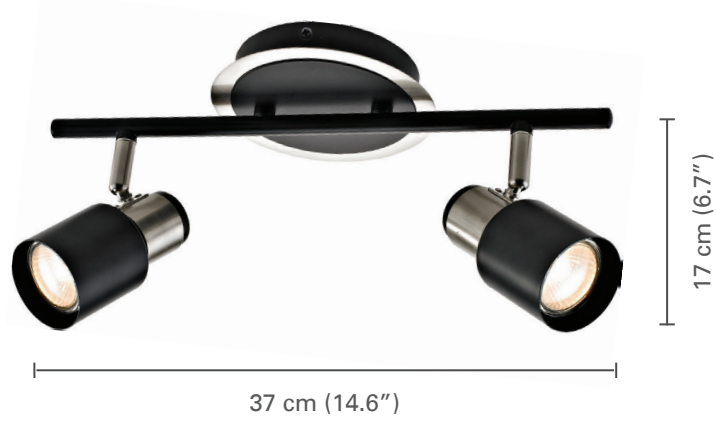


RAIL D'ÉCLAIRAGE / TRACK LIGHTS

5-90228 HARBOUR



5-90229 HARBOUR



5-90230 HARBOUR



RAIL D'ÉCLAIRAGE / TRACK LIGHTS

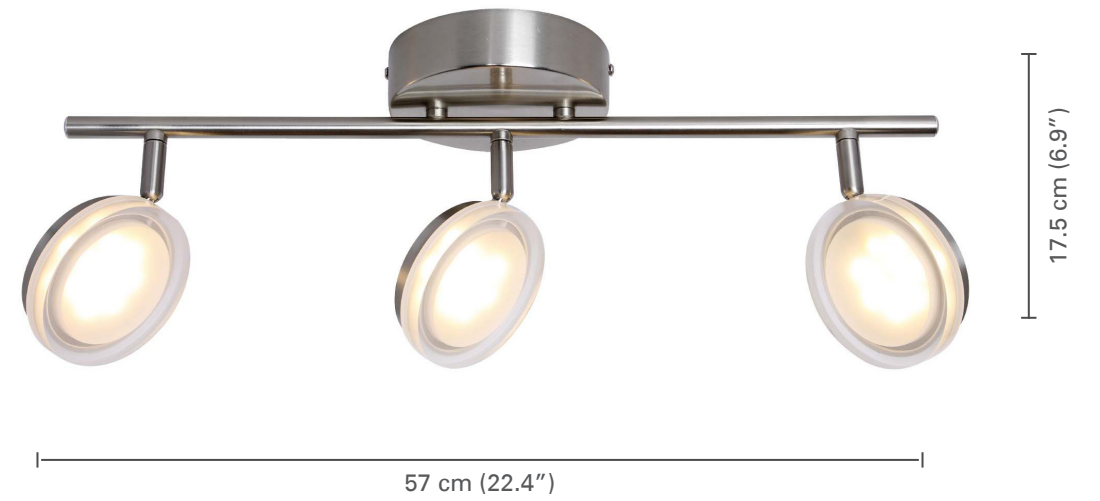
5-90081 ANITA (DEL / LED)



5-90082 ANITA (DEL / LED)



5-90083 ANITA (DEL / LED)



5-90084 ANITA (DEL / LED)

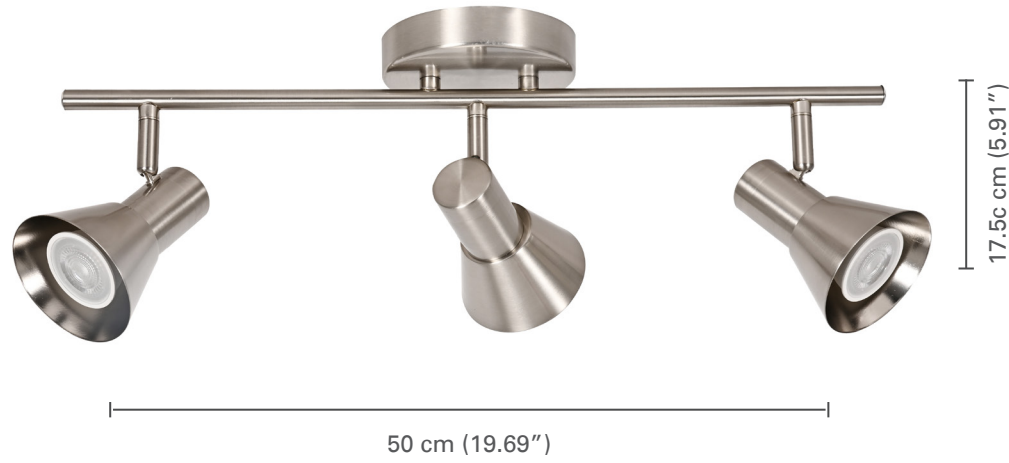


RAIL D'ÉCLAIRAGE / TRACK LIGHTS

5-90350 ROSALIE



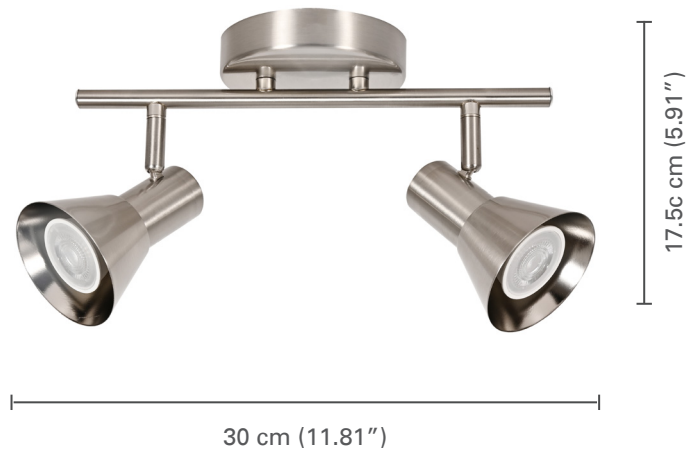
5-90353 ROSALIE



5-90351 ROSALIE



5-90352 ROSALIE



5-90354 ROSALIE



RAIL D'ÉCLAIRAGE / TRACK LIGHTS

5-90033 YORKSHIRE



5-90034 YORKSHIRE



5-90036 YORKSHIRE



5-90035 YORKSHIRE



5-90037 YORKSHIRE

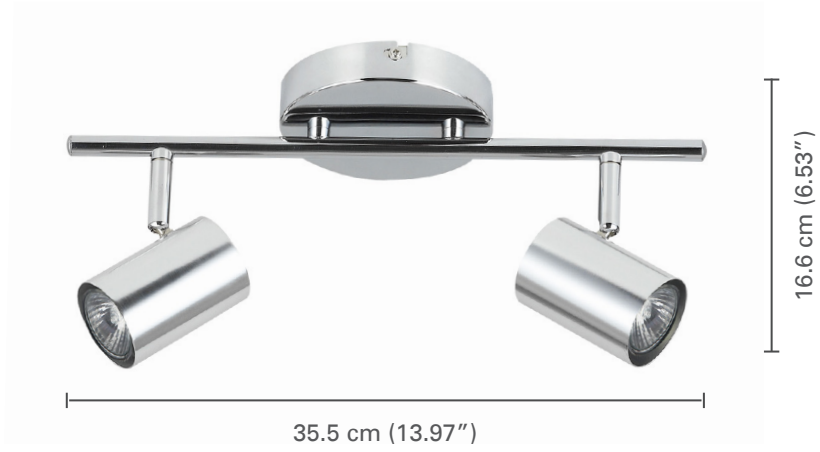


RAIL D'ÉCLAIRAGE / TRACK LIGHTS

5-90067 WESTMINSTER



5-90068 WESTMINSTER



5-90069 WESTMINSTER

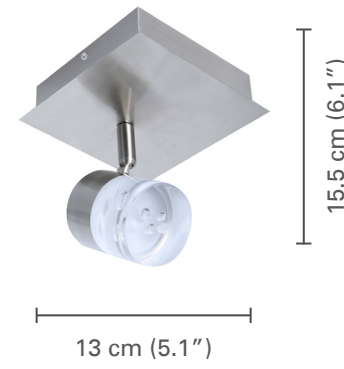


5-90070 WESTMINSTER

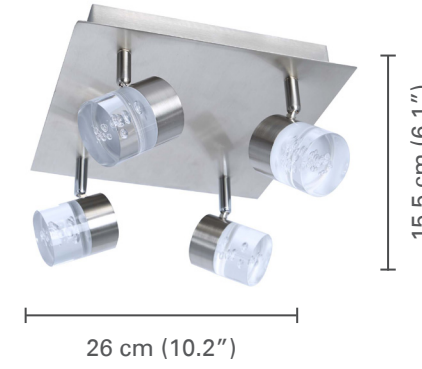


RAIL D'ÉCLAIRAGE / TRACK LIGHTS

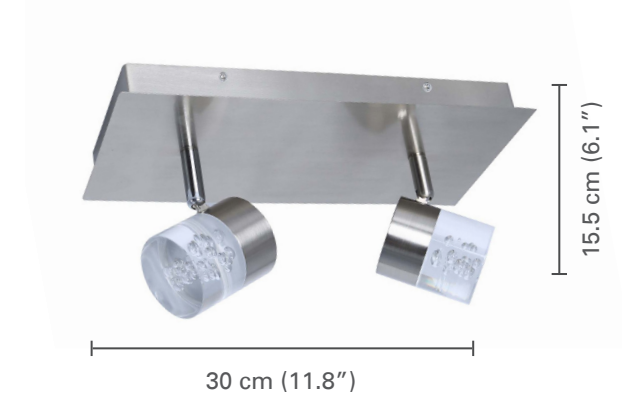
5-90085 HOPE



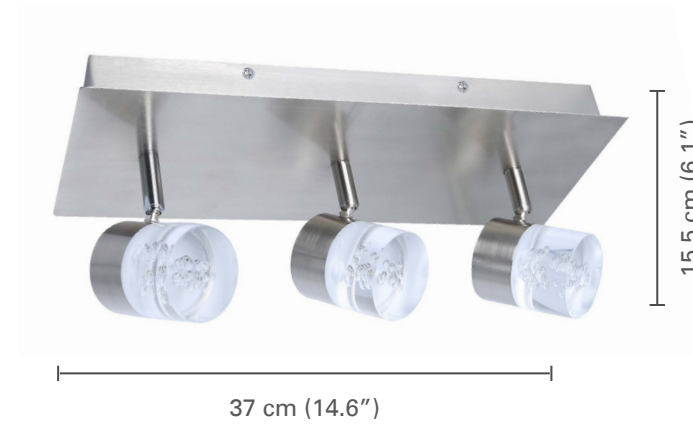
5-90088 HOPE



5-90086 HOPE



5-90087 HOPE



5-90078 OSCAR



5-90077 OSCAR



5-90080 OSCAR





# Plafonnier Ceiling Lights

1-69953 VALERIO 11" (DEL / LED) 3000K



1-69956 VALERIO 11" (DEL / LED)  
3 options de couleurs / 3 color options  
3000K / 4000K / 5000K



1-69958 VALERIO 15" (DEL / LED)  
3 options de couleurs / 3 color options  
3000K / 4000K / 5000K



1-69954 VALERIO 11" (DEL / LED) 3000K



1-69957 VALERIO 11" (DEL / LED)  
3 options de couleurs / 3 color options  
3000K / 4000K / 5000K



1-69976 VALERIO 17" (DEL / LED)  
3 options de couleurs / 3 color options  
3000K / 4000K / 5000K



## PLAFONNIER / CEILING LIGHTS

1-69961 MILANO 12" (DEL / LED) 3000K



1-69919 VERONA 11" (DEL / LED) 4000K



1-69940 VERONA 11" (DEL / LED) 3000K



1-69931 CARREY 11"



1-69941 ROSS 11" (DEL / LED) 3000K



1-69962 MILANO 12" (DEL / LED) 3000K



1-69939 VERONA 11" (DEL / LED) 3000K



1-69934 CORINA 14"



1-69932 CARREY 14"



5-90312 MONICA (DEL / LED)  
3 options de couleurs / 3 color options  
3000K / 4000K / 5000K



35.5 cm (13.98")

5 cm (1.97")



PLAFONNIER / CEILING LIGHTS

5-90273 VALENTINA (DEL / LED) 3000K



5-90274 YORK (DEL / LED) 3000K



1-69975 SAMUEL (DEL / LED)  
3 options de couleurs / 3 color options  
3000K / 4000K / 5000K



5-90199 DUBLIN (DEL / LED) 3000K



5-90290 LAUREN



5-90291 LAUREN



PLAFONNIER / CEILING LIGHTS

5-90288 INDIANA



5-90289 INDIANA



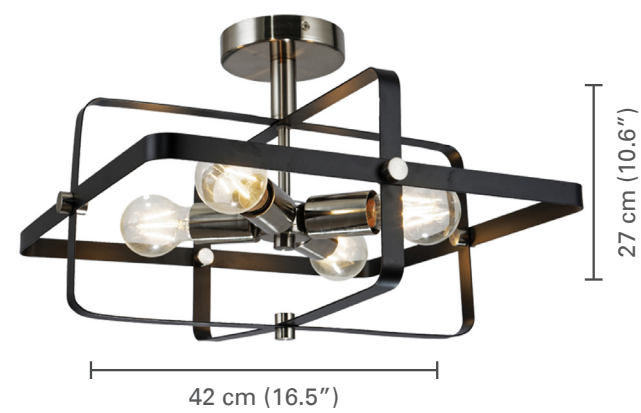
5-90244 SWEDEN



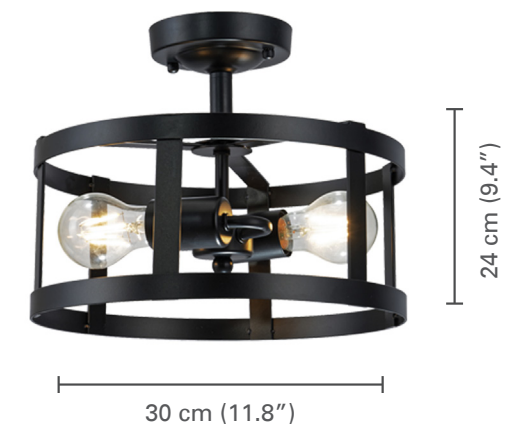
5-90245 PANAMA



5-90246 SUNKEY



5-90247 PRESTON





# Lumières de vanité Vanity Lights

5-90202 FAIRVIEW



Include  
Included



13.3 cm (5.2")

13.3 cm (5.2")

5-90203 FAIRVIEW



x 3  
Includes  
Included



13.3 cm (5.2")

56 cm (22.0")

5-90204 FAIRVIEW



x 4  
Includes  
Included



13.3 cm (5.2")

78.7 cm (31.0")

## LUMIÈRES DE VANITÉ / VANITY LIGHTS

5-90310 MORRISON (DEL / LED) 3000K



11 cm (4.33")

45 cm (17.72")

5-90309 MORRISON (DEL / LED) 3000K



14.0 cm (5.5")

60 cm (23.6")

5-90308 LANGFORD (DEL / LED) 3000K



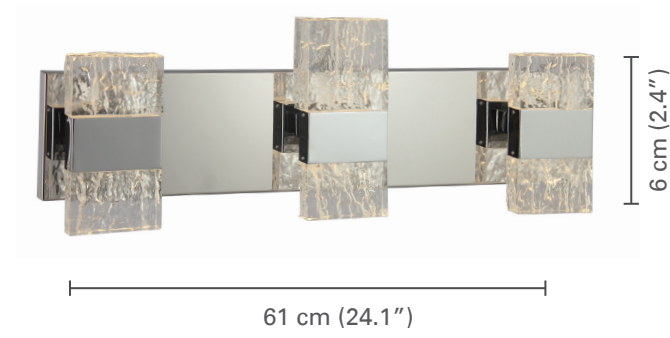
15.5 cm (6.1")

60 cm (23.6")

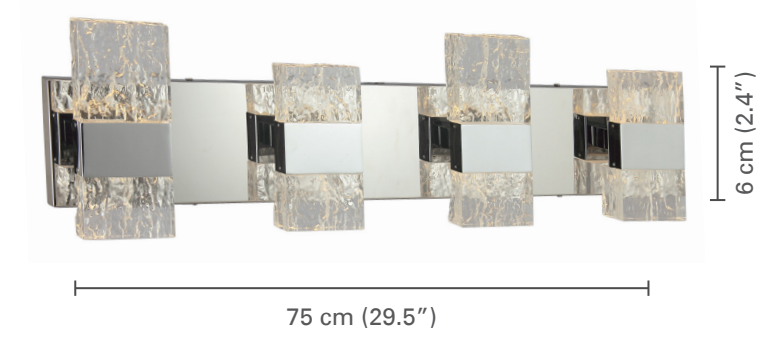


LUMIÈRES DE VANITÉ / VANITY LIGHTS

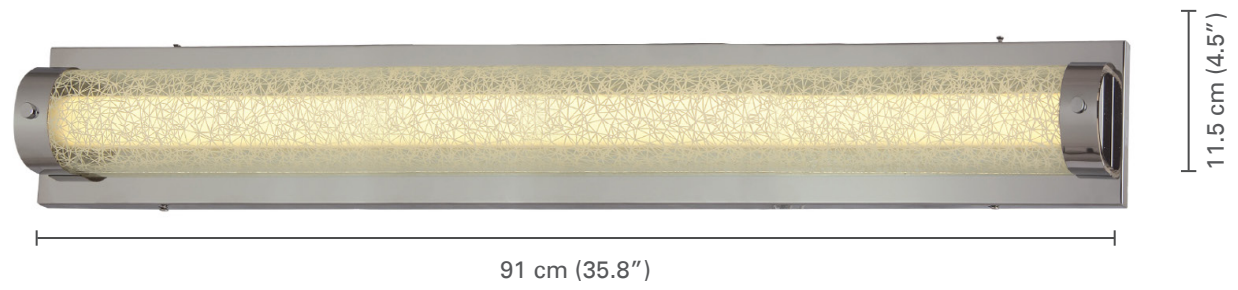
5-90205 CHRISTALINA (DEL / LED) 3000K



5-90206 CHRISTALINA (DEL / LED) 3000K



5-90201 ROCKVIEW (DEL / LED) 3000K



5-90215 RIVA



5-90216 RIVA



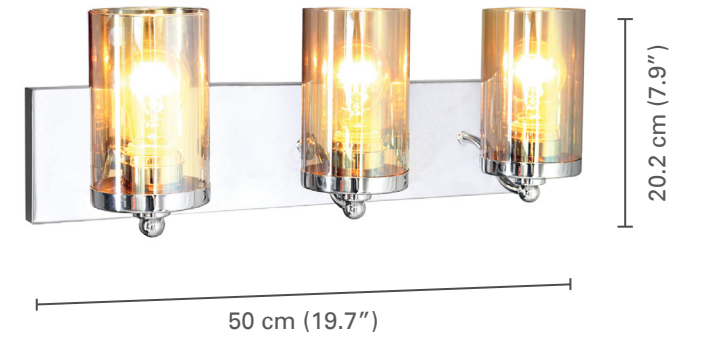
LUMIÈRES DE VANITÉ / VANITY LIGHTS



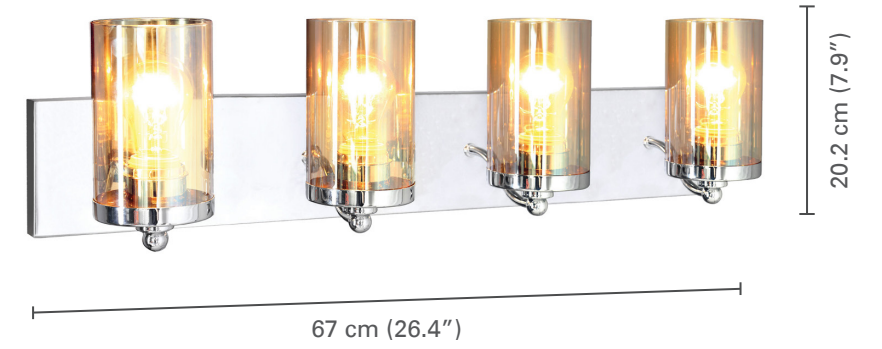
5-90217 DAWSON



5-90218 DAWSON



5-90219 DAWSON



5-90213 BALTIMORE



5-90214 BALTIMORE





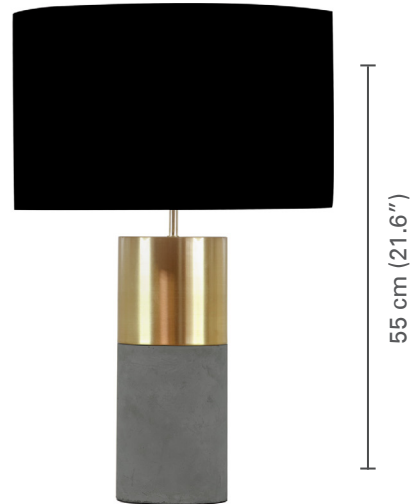
# Lampe de table et pieds Desk & Floor Lamp

## LAMPE DE TABLE ET PIEDS / DESK & FLOOR LAMP

1-69070 COLEMAN



1-69069 CLASSIC



5-90121 LOFOTEN



1-69057 DELANO (2PK)



5-90272 BRUCE



1-69071 CONROY



5-90120 LUNA



5-90024 STUDIO



1-69072 FELIX



1-69066 SHILO



5-90270 BRADFORD



5-90139 PARKER



1-69067 TODD



LAMPE DE TABLE ET PIEDS / DESK & FLOOR LAMP

1-69059 AUTENTICA



1-69065 WOODWARD



1-69060 TRAVIS

5-90141 BRADLEY



1-69062 SPENCER



1-69058 ADRIEN



1-69055 RETRO

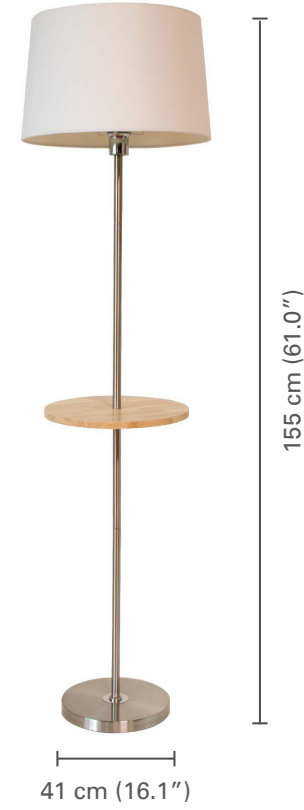


1-69056 RETRO



LAMPE DE TABLE ET PIEDS / DESK & FLOOR LAMP

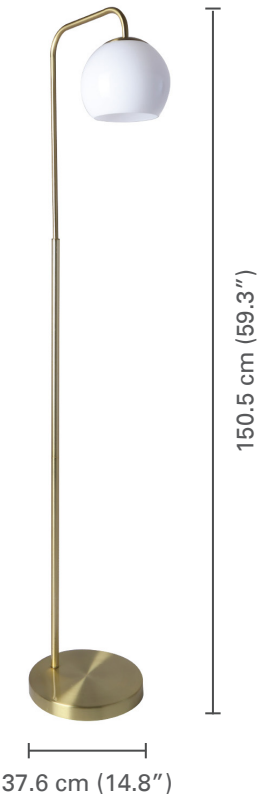
5-90092 ANDERSON



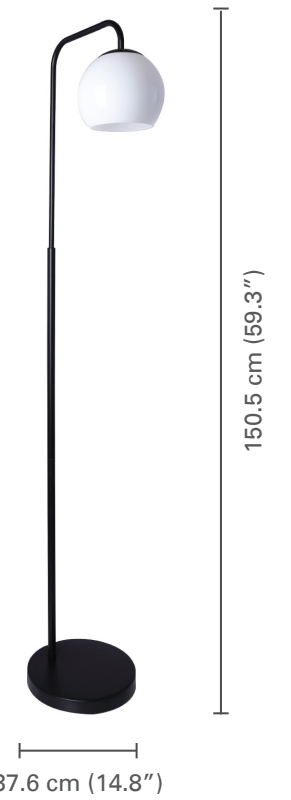
5-90029 NIRVANA



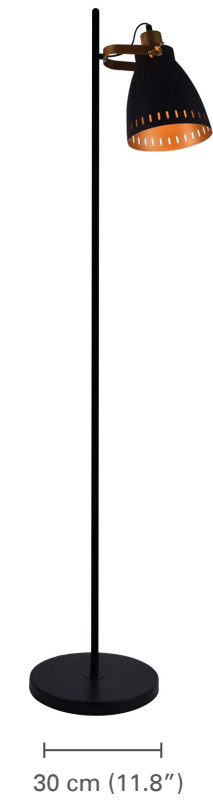
5-90231 CAPE TOWN



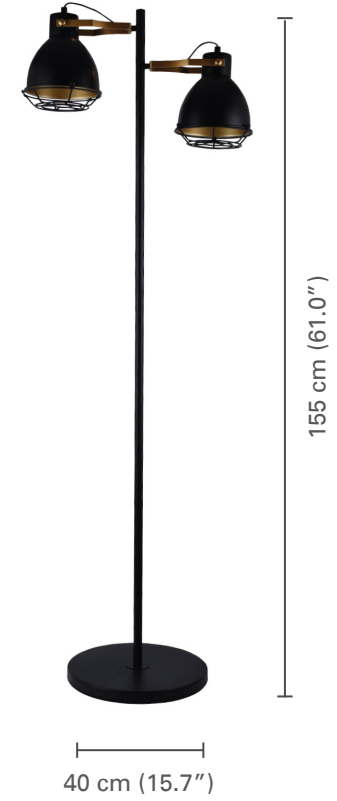
5-90232 CAPE TOWN



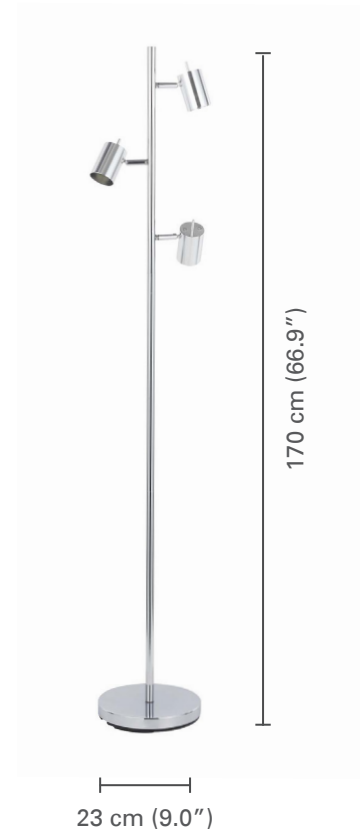
5-90140 PARKER



5-90138 VIRGINIA



5-90025 SYDNEY





**Luminaire Extérieurs  
Outdoor Lights**

**LUMINAIRES EXTÉRIEURS / OUTDOOR LIGHTS**

5-90015 PORTER (2PK)



5-90091 PORTER (2PK)



5-90055 MARVIN



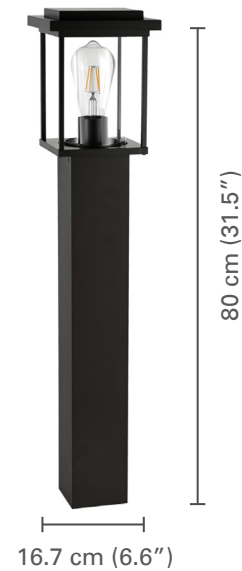
5-90049 CASSIDY



5-90042 BAILEY



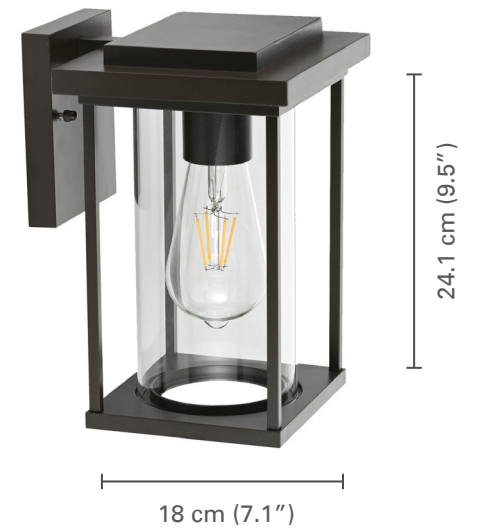
5-90259 KANSAS



5-90058 HUDSON



5-90260 MARSHALL



LUMINAIRES EXTÉRIEURS / OUTDOOR LIGHTS

5-90026 CHURCHILL



5-90040 BOURNE



LUMINAIRES EXTÉRIEURS / OUTDOOR LIGHTS

5-90089 OLD TOWN



5-90051 DUKE



5-90052 GARRY



5-90045 CAMILA



5-90044 EDGAR



5-90050 DUCAN



5-90057 JADA



5-90265 MONTCALM



5-90063 LONDON



5-90014 PRESCOTT



LUMINAIRES EXTÉRIEURS / OUTDOOR LIGHTS

5-90043 BELZ



5-90266 BALI



5-90021 WINSLOW



5-90016 RENOLDS



5-90017 AMSTERDAM



5-90023 DUVAL



5-90018 BELLA



5-90022 VIRGINIA



5-90053 GRAHAM



5-90054 GRAHAM



5-90019 CANDICE



5-90020 AUGUST





LUMINAIRES EXTÉRIEURS / OUTDOOR LIGHTS

5-90056 FERGUSON



5-90046 BROOKE



5-90267 AUBREY



5-90268 DORCHESTER



5-90264 ALANAH



5-90048 CUMBRIA



LUMINAIRES EXTÉRIEURS / OUTDOOR LIGHTS

5-90239 CENTRAL PARK



5-90339 CENTRAL PARK (2PK)



5-90191 CENTRAL PARK



5-90391 CENTRAL PARK (2PK)



5-90190 CENTRAL PARK



5-90192 BRIDGE



5-90193 BRIDGE





5-90240 WILSON 12" 3000K (DEL / LED)



5-90241 WILSON 18" 3000K (DEL / LED)



5-90242 VIVA 8" 3000K (DEL / LED)



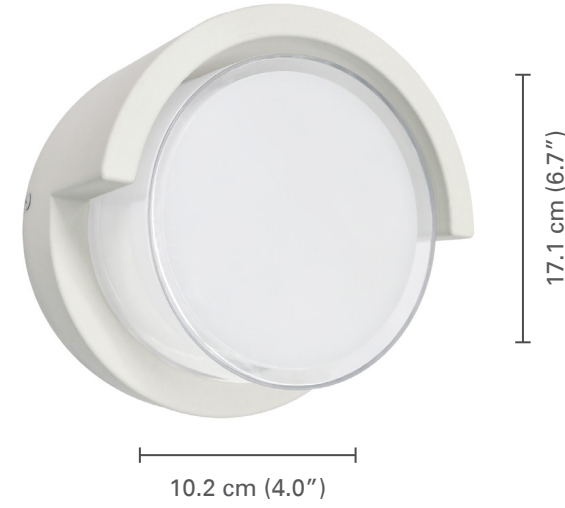
5-90342 VIVA 8" 3000K (DEL / LED)



5-90243 VIVA 14" 3000K (DEL / LED)



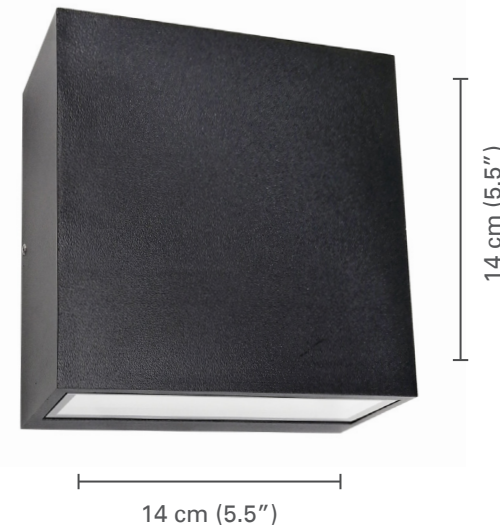
5-90261 MALIBU (DEL / LED)  
3 options de couleurs / 3 color options  
3000K / 4000K / 5000K



5-90262 MALIBU (DEL / LED)  
3 options de couleurs / 3 color options  
3000K / 4000K / 5000K



5-90263 MONTANA 3000K (DEL / LED)



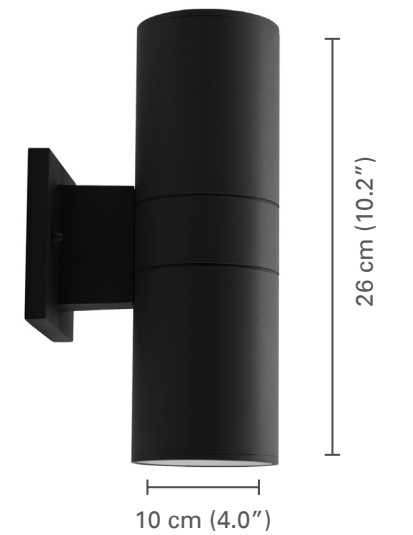
4-80081 JULIETTE 3000K (DEL / LED)



4-80083 ESTHER 3000K (DEL / LED)



4-80084 OLIVIA 3000K (DEL / LED)





CATALOGUE LUMINAIRE  
LIGHTING CATALOG  
2024

Les industries  
**Jessar**  
industries inc.

341 Allée Du Golf  
St-Eustache, Québec  
Canada J7R 0L5

Tel : 450 472 0280  
Fax: 450 472 1280

E-mail: [info@jessar.ca](mailto:info@jessar.ca)  
[www.jessar.ca](http://www.jessar.ca)

Mar 2024